

# ilektro™

Slimline Range  
electric fire



Distributed by

**PAUL AGNEW** | DESIGNS®

[info@paulagnewdesigns.com](mailto:info@paulagnewdesigns.com) | [www.paulagnewdesigns.com](http://www.paulagnewdesigns.com)

# ilektrö™

## Slimline Range electric fire

Whether mounted on a wall or set back into a nook, the ilektrö Slimline's slender proportions and light weight make it an easy addition that simply brings spaces to life.

Featuring a full suite of settings that allow the ilektrö Slimline to be adjusted to the room conditions and to suit your mood.

Enjoy the ilektrö Slimline all year-round. The inbuilt heating system can be turned off at anytime leaving the Slimline flame to operate independently.

### WALL MOUNTED OR SET-BACK

Slimline's simple mounting system allows it to be wall mounted, recessed into a wall nook or custom cabinetry.

### SLIMLINE FOR ANY SPACE

The ilektrö Slimline comes in a choice of three sizes 50", 60" and 72".



### ilektrö FLAME TECHNOLOGY

The ilektrö Slimline delivers a lively flame that makes an impression in any space. Charred logs with a tailored ember bed complete the fireplace experience



### FLAME COLOURS

6 flame colours



### FLAME BRIGHTNESS

Flame brightness to change the mood in your room



### EMBER BED COLOUR

6 ember colours



### HEATER

3 heater settings ranging between 900W - 1800W and also heater off option for your comfort



### TIMER

9 timer settings for your comfort



### OPTIMAL CONTROL

Your flame is able to be controlled and customised by you along with the log fuel bed



### REMOTE HANDSET

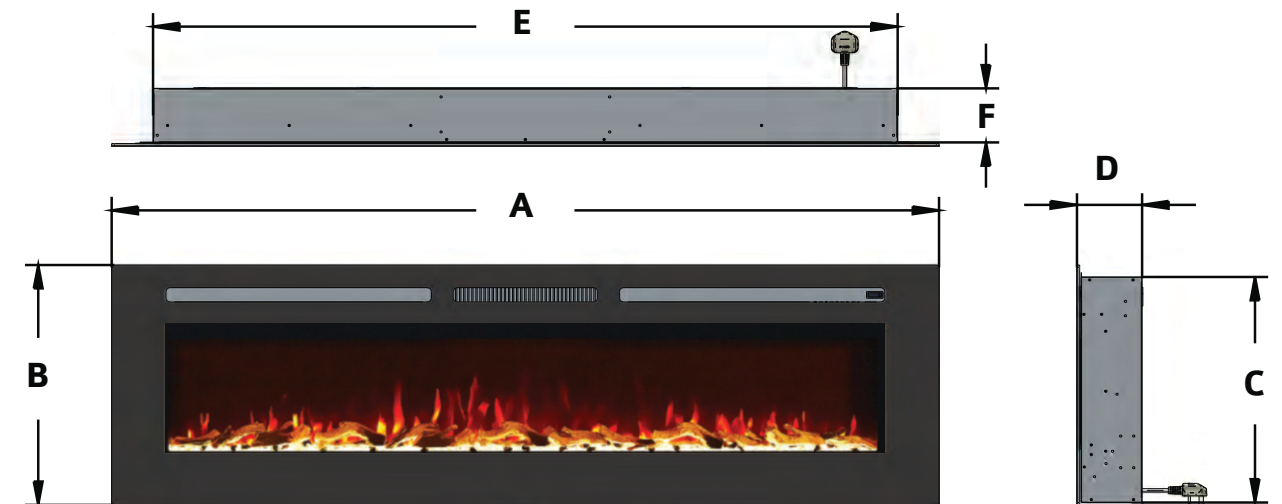
Fully control all ilektrö Slimline functions with the ilektrö infra-red remote control



### WARRANTY

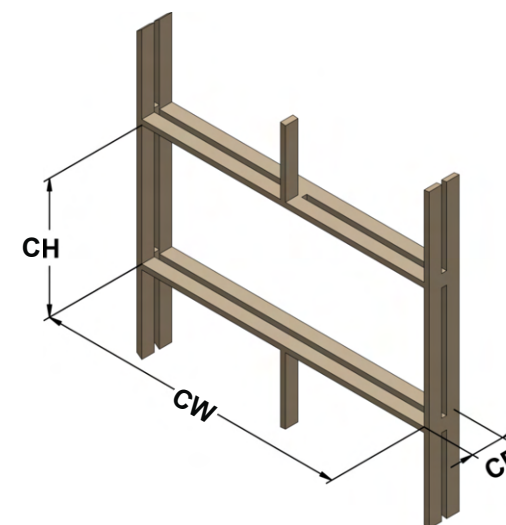
2 year warranty for added assurance

## ilektrö Slimline dimensions



MODEL	A	B	C	D	E	F	WEIGHT (KG)
SL50	1270	500	470	120	1117	112	20
SL60	1524	500	470	120	1371	112	24
SL72	1828	500	470	120	1675	112	29

### FRAME BUILD OUT DIMENSIONS



MODEL	CH	CW	CD
SL50	1270	500	470
SL60	1524	500	470
SL72	1828	500	470

\*CH - Cavity Height; CW - Cavity Width; CD - Cavity Depth

Note: All the dimensions given are in millimeters and are the minimum requirement. Before installing refer to the relevant product manual for full and up to date information.