

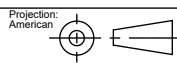
* = optional air inlet Ø 125 mm

barbas

Barbas Bellfires B.V.
Hallenstraat 17
5531 AB Bladel
The Netherlands
www.barbasbellfires.com

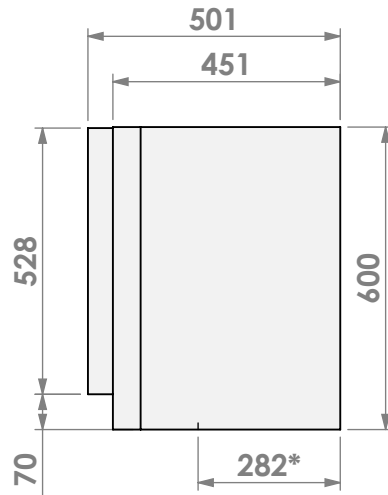
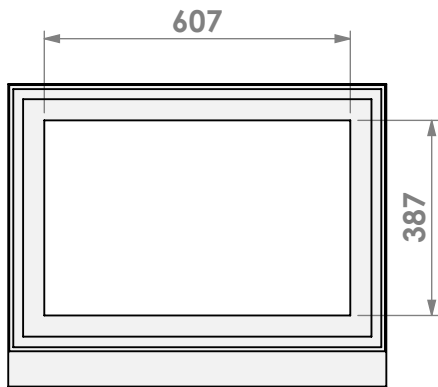
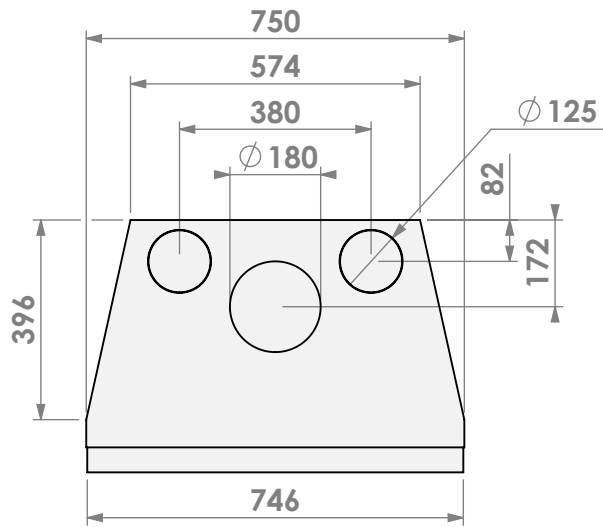
Name: **Universal 6-80 frameless**

Modifications reserved



Scale: **1:15**
Unit: **mm**

Version: **0**



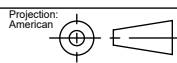
* = optional air inlet Ø 125 mm

barbas

Barbas Bellfires B.V.
Hallenstraat 17
5531 AB Bladel
The Netherlands
www.barbasbellfires.com

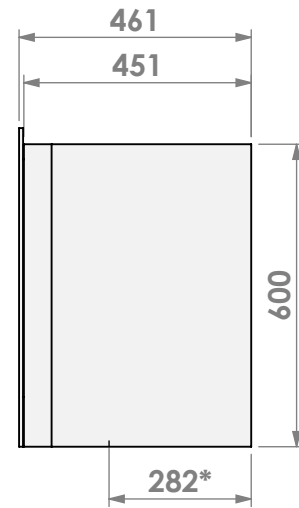
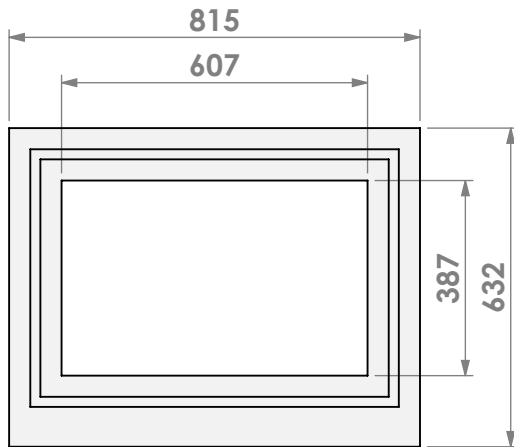
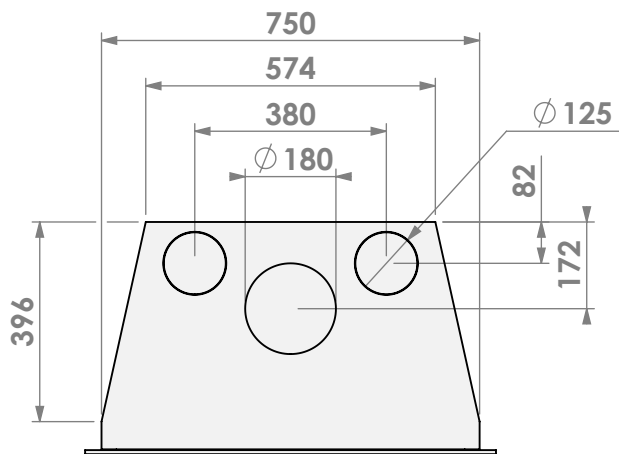
Name: **Universal 6-80 built-in frame**

Modifications reserved



Scale: 1:15
Unit: mm

Version: 0



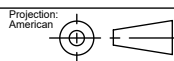
* = optional air inlet $\varnothing 125$ mm

barbas

Barbas Bellfires B.V.
 Hallenstraat 17
 5531 AB Bladel
 The Netherlands
 www.barbasbellfires.com

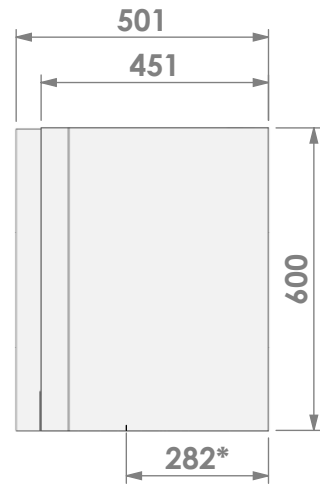
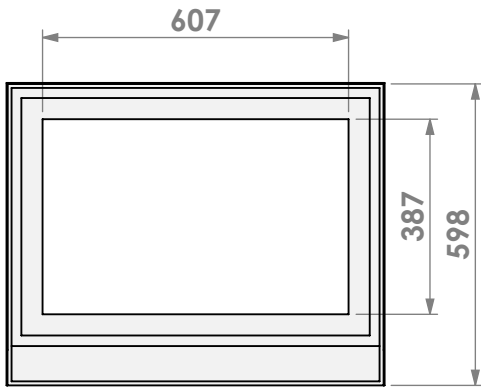
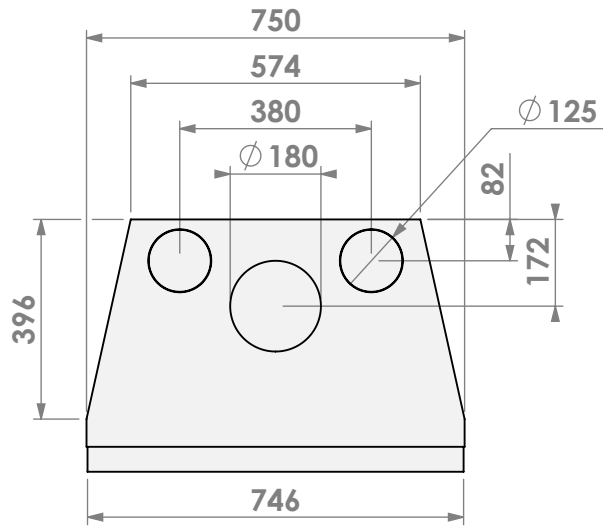
Name: **Universal 6-80 classic frame**

Modifications reserved



Scale: 1:15
 Unit: mm

Version: 0



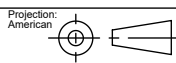
* = optional air inlet Ø 125 mm

barbas

Barbas Bellfires B.V.
 Hallenstraat 17
 5531 AB Bladel
 The Netherlands
 www.barbasbellfires.com

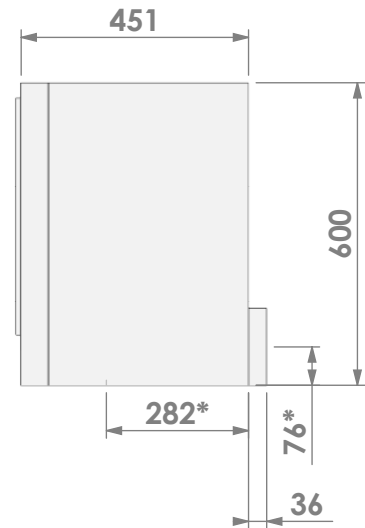
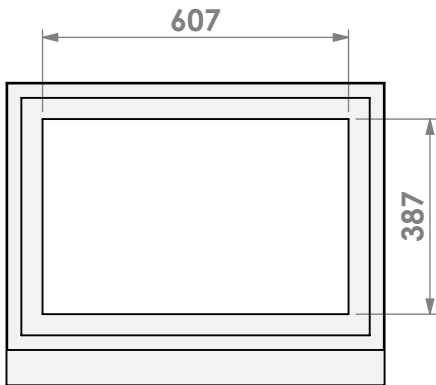
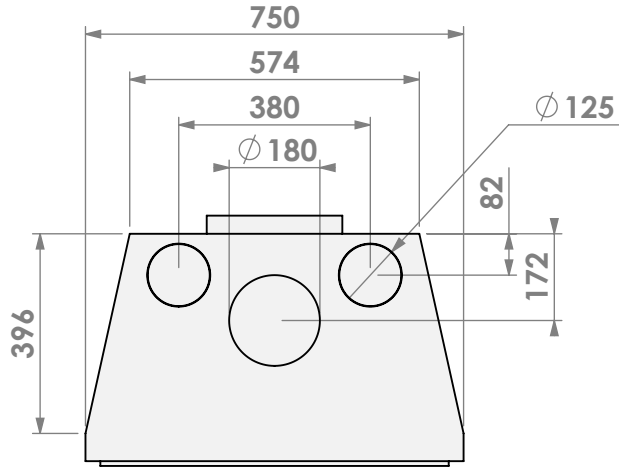
Name: **Universal 6-80 insert frame**

Modifications reserved



Scale: 1:15
 Unit: mm

Version: 0



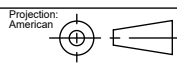
* = optional air inlet Ø 125 mm

barbas

Barbas Bellfires B.V.
Hallenstraat 17
5531 AB Bladel
The Netherlands
www.barbasbellfires.com

Name: **Universal 6-80 frameless**

Modifications reserved



Scale: 1:15
Unit: mm

Version: 0